

H Series

Large Bore Needle / Globe Isolation Valves

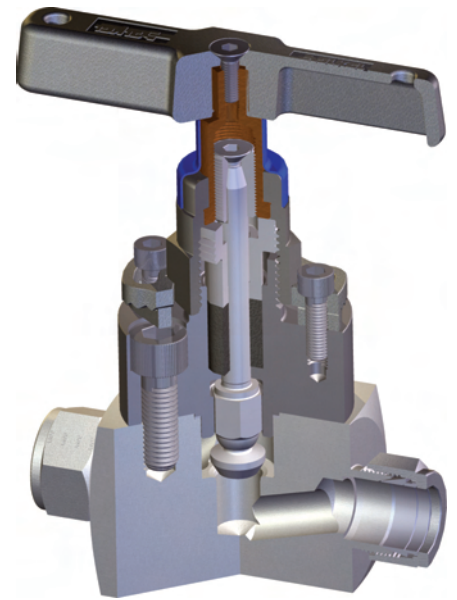


A Safe and Reliable Innovation

Developed to operate across a wide pressure and temperature range, in dirty or hydrate service conditions, our new Large Bore Needle / Globe Isolation Valves provide reliable bubble tight isolation, with significantly reduced risk of blocking compared to conventional needle valves.

Product Description:

Full 1/2" (12.7mm) bore metal seated globe style needle isolation hand valve, available in 316L stainless steel or Duplex. This product range complies with ASME VIII ASME/ANSI B16.34 piping class specifications and is ruggedly constructed with a bolted bonnet design.



Specification:

- 6,000 psig (414 barg) cold working pressure
- -54°C to +538°C temperature rating (for 316L stainless steel)

Product Features:

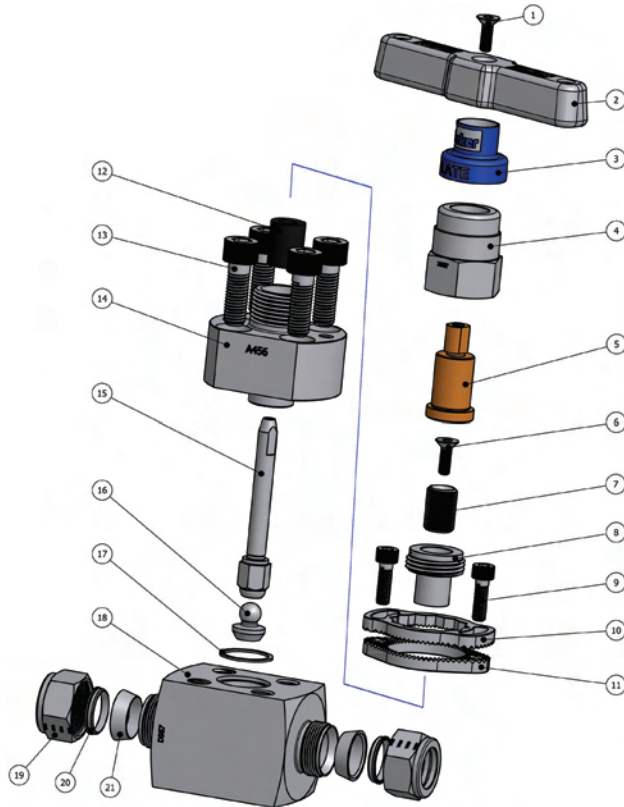
- 4:1 Pressure boundary designed safety factor
- Designed to meet pressure and temperature requirements of ANSI/ASME B.16.34, at class 2500 lbs
- Integral tube fitting ends available - Phastite® or A-LOK®
- Typical weight is 2.8kg
- Choice of female/male NPT, or socket welded end connections
- Factory tested - all units fully hydrostatically tested to 1.5 times maximum working pressure
- Available in NACE MR 01 75/ ISO 15156 compliant materials
- Anti blow-out stem
- Metal joint seal



ENGINEERING YOUR SUCCESS.

Together, we can innovate

Needle Valve



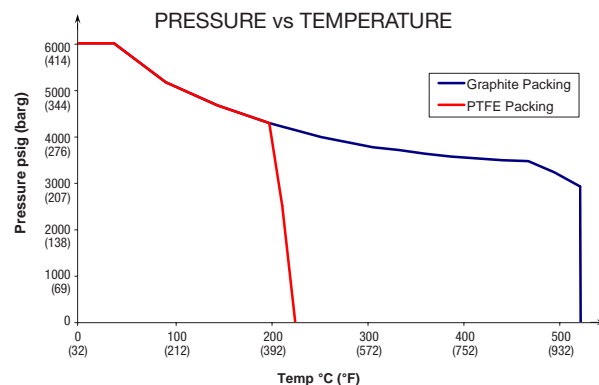
BILL of MATERIALS

Item No.	Qty	Description	Material
1	1	Socket Cap Screw	316L Stainless Steel
2	1	Handle	316L Stainless Steel
3	1	Dust Cap (Coloured)	316L Stainless Steel
4	1	Gland Nut	ASTM A479 Type 316L
5	1	Stem Raiser	NES 833 Aluminium Bronze
6	1	Socket Cap Screw	316L Stainless Steel
7	1	Upper Stem	Duplex UNS 31803
8	1	Thrust Bush	ASTM A479 Type 316L
9	2	Socket Cap Screw	316L Stainless Steel
10	1	Tru-Loc Plate	316L Stainless Steel
11	1	Tru-Loc Plate	316L Stainless Steel
★ 12	4	Packing	★ PTFE / Graphite
12a	2	Thrust Seal	PEEK 450G (PTFE packed version only)
13	4	Socket Cap Screw	ASTM A193M-B8M
★ 14	1	Bonnet	ASTM A479 Type 316L
15	1	Lower Stem	ASTM A479 Type 316L
★ 16	1	Tip	ASTM A542 Type 17-4 PH
★ 17	1	Joint Seal	ASTM A479 Type 316L
★ 18	1	Body	ASTM A479 Type 316L
★ 19	1	A-LOK® Nut	ASTM A479 Type 316L
★ 20	1	Back Ferrule	ASTM A479 Type 316L
★ 21	1	Front Ferrule	ASTM A479 Type 316L

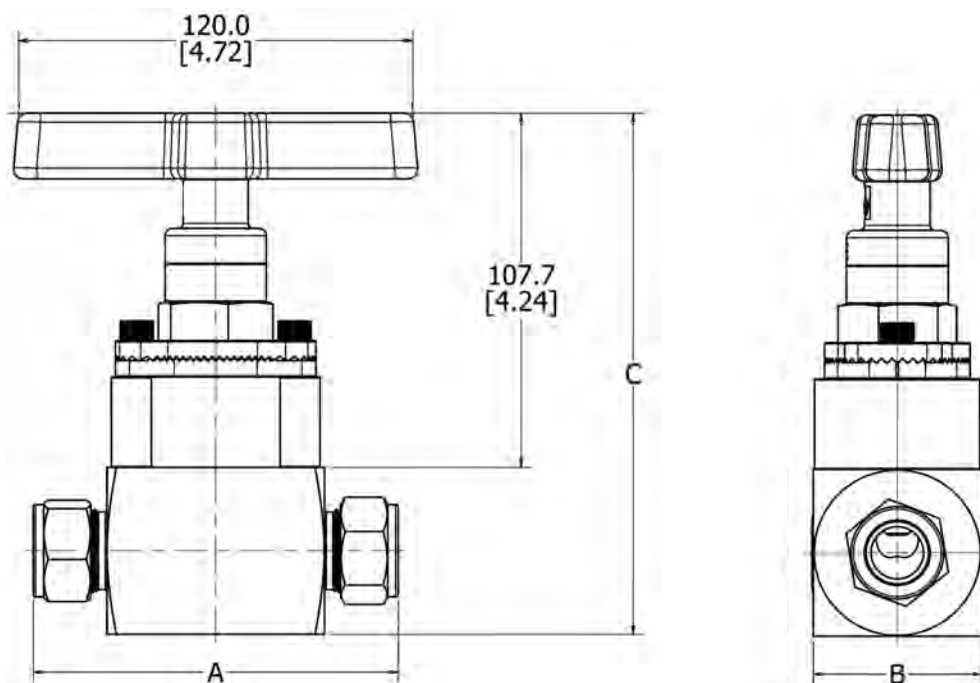
★ Wetted Parts ★ Optional packing materials available

Benefits:

- 1/2" bore orifice reduces risk of blocking in dirty or hydrate service
- Integral metal seat and floating, non-rotating hard tip provides bubble tight shut off across a very broad range of pressure and temperatures, eliminating the need for many different specifications of isolation valve
- Fully meets the piping specification for use as a first line process isolation valve
- Tru-Loc locking device to stop accidental adjustment
- Low friction aluminium bronze stem raiser



Dimensions



STANDARD RANGE PART NUMBERS

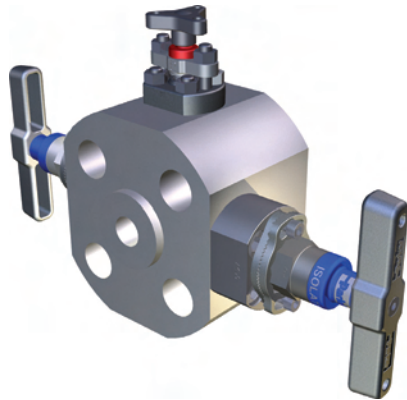
Part No.	Inlet	Outlet	A		B		C	
H8BNV*8FF	1/2-14 NPT (Fem)	1/2-14 NPT (Fem)	88.0	(3.46")	50.8	(2.00")	158.5	(6.24")
H8BNV*8M8F	1/2-14 NPT (Male)	1/2-14 NPT (Fem)	95.0	(3.74")	50.8	(2.00")	158.5	(6.24")
H8BNV*12FF	3/4-14 NPT (Fem)	3/4-14 NPT (Fem)	89.0	(3.50")	50.8	(2.00")	158.5	(6.24")
H8BNV*12M12F	3/4-14 NPT (Male)	3/4-14 NPT (Fem)	98.5	(3.88")	50.8	(2.00")	158.5	(6.24")
H8BNV*16FF	1-11.5 NPT (Fem)	1-11.5 NPT (Fem)	98.0	(3.86")	50.8	(2.00")	158.5	(6.24")
H8BNV*16M16F	1-11.5 NPT (Male)	1-11.5 NPT (Fem)	106.5	(4.19")	50.8	(2.00")	158.5	(6.24")
H8BNV*8A	1/2" A-LOK®	1/2" A-LOK®	111.1	(4.37")	50.8	(2.00")	158.5	(6.24")
H8BNV*12A	3/4" A-LOK®	3/4" A-LOK®	111.1	(4.37")	50.8	(2.00")	158.5	(6.24")
H8BNV*16A	1" A-LOK®	1" A-LOK®	118.1	(4.65")	50.8	(2.00")	158.5	(6.24")
H8BNV*M12A	12mm A-LOK®	12mm A-LOK®	111.1	(4.37")	50.8	(2.00")	158.5	(6.24")
H8BNV*M18A	18mm A-LOK®	18mm A-LOK®	111.1	(4.37")	50.8	(2.00")	158.5	(6.24")
H8BNV*M20A	20mm A-LOK®	20mm A-LOK®	111.1	(4.37")	50.8	(2.00")	158.5	(6.24")
H8BNV*M25A	25mm A-LOK®	25mm A-LOK®	118.0	(4.65")	50.8	(2.00")	158.5	(6.24")

For other connections and options, please consult Parker Instrumentation or see catalogue 4190-VMS

* For material options 316L insert 'S' and for Duplex insert 'D1'

Monoflange and Manifold Options

This product range is configurable into a range of manifold solutions, including double block and bleed monoflanges, as illustrated below. Each configuration provides a significantly reduced risk of blocking compared to conventional small bore manifolds. Please consult with Parker Instrumentation for more information on the manifold and monoflange options available.



Additional Features:

- Ultra-compact design
- Choice of end connections - flange by flange or flange by threaded
- Flanged connections are available from 1" to 3"
- Integral double block and bleed construction

Testing:

Each valve is 100% fully pressure tested to 1.5 times maximum working pressure.

Available Materials:

Valves are available in 316L stainless steel and Duplex. Other materials are available on request.

WARNING

FAILURE, IMPROPER SELECTION OR IMPROPER USE OF THE PRODUCTS AND/OR SYSTEMS DESCRIBED HEREIN OR RELATED ITEMS CAN CAUSE DEATH, PERSONAL INJURY AND PROPERTY DAMAGE.

This document and other information from Parker Hannifin Corporation, its subsidiaries or its authorized distributors provide product and/or system options for further investigation by users having technical expertise. It is important that you analyze all aspects of your application and review the information concerning the product or system in the current product catalog. Due to the variety of operating conditions and applications for these products or systems, the user, through its own analysis and testing, is solely responsible for making the final selection of the products and systems and assuring that all performance, safety and warning requirements of the application are met.

The products described herein, including without limitation, product features, specifications, designs, availability and pricing, are subject to change by Parker Hannifin Corporation and its subsidiaries at any time without notice.

Offer of Sale

The items described in this document are available for sale by Parker Hannifin Corporation, its subsidiaries or its authorized distributors. Any sale contract entered into by Parker will be governed by the provisions stated in Parker's standard terms and conditions of sale (copy available upon request).

